

NOTES:

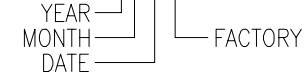
1.MATERIAL:

- 1.1 HOUSING: SEE TABLE
- 1.2 CONTACTS: SEE TABLE(INCLUDED DUMMY PIN)
- 1.3 SHELL: SEE TABLE
- 1.4 CONDUCTIVE PLASTIC: SEE TABLE

2.FINISH:

- 2.1 CONTACT: SEE P/N
- 2.2 SHELL: SEE TABLE
- 3.THE CONNECTOR IS RoHS COMPLIANT, AND MEET USB3.1 GEN 2 DATA TRANSFER RATE REQUIREMENT

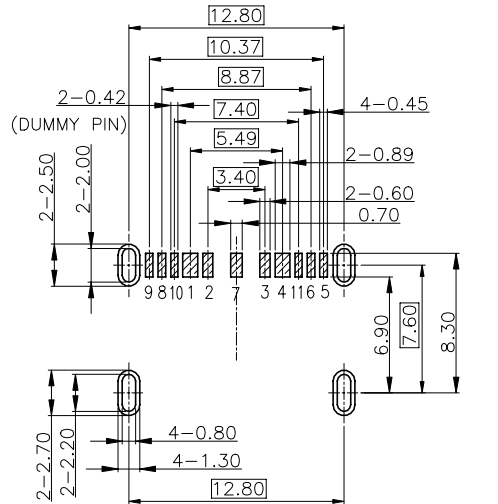
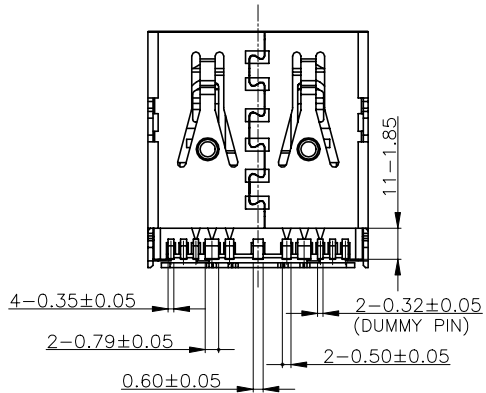
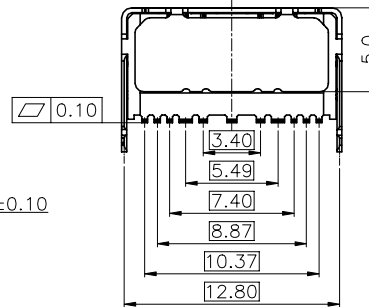
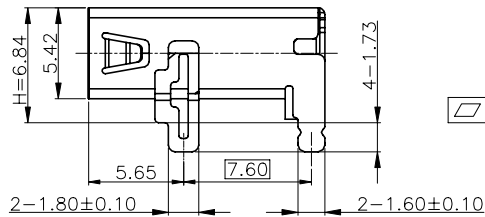
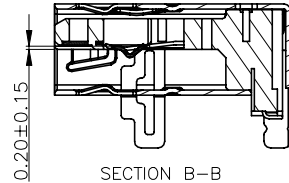
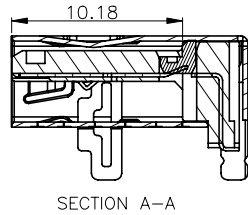
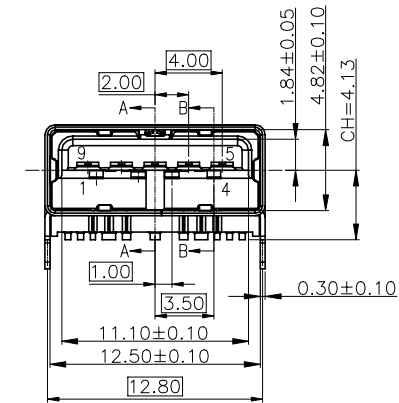
4.DATE CODE: XXXXXX



5.SPEC. PLS. REFER TO PS-30175-XXXXX-XXX

6.PACKAGE PLS. REFER TO 31165-XXXXX-XXX-PCK

7.P/N: 31165-011 X X-XXX



RECOMMENDED PCB LAYOUT (COMPONENT SIDE)
(TOLERANCE:±0.05)

NO	DESCRIPTION	Q'TY	MATERIAL	PLATING & COLOR
D	CONDUCTIVE PLASTIC	1	LCP+CARBON	UL 94V-0, COLOR: BLACK
C	SHELL	1	SUS304	50u" MIN. NICKEL PLATED
B	TERMINAL	11	BRASS	50u" MIN. NICKEL UNDERPLATED CONTACT AREA: 0.5u" GOLD PLATED SOLDER AREA: 80u" MIN. MATTE TIN PLATED
A	HOUSING	1	PA9T+G.F	UL 94V-0, COLOR: SEE P/N

Pin #	SIGNAL NAME
1	VBUS
2	D-
3	D+
4	GND
5	StdA_SSRX-
6	StdA_SSRX+
7	GND_DRAIN
8	StdA_SSTX-
9	StdA_SSTX+
10/11	Dummy Pin SMT solder tail for grounding
Shell	Shield

QUALITY SYMBOLS

- MAJOR
- CRITICAL

GENERAL TOLERANCES (UNLESS SPECIFIED)

- X. ±0.5
- .X ±0.25
- .XX ±0.15
- .XXX ±0.1
- ANGLES ±2°

DRAWN BY		DATE	
LIAO WAN TING		'22/09/23	
CHECKED BY		DATE	
TENG CHANG HO		'22/09/23	
APPROVED BY		DATE	
KUO JUNG HSUN		'22/09/23	
UNITS	SCALE	SHEET NO.	REV
mm	X : X	1 OF 1	A

ACES ELECTRONICS

USB3.1 STD A TYPE RECEPTACLE
SMT R/A CH= 4.13mm, with Dummy Pin

RFQ NO. RFQ-1022-210413-03
DWG NO. 31165-XXXXX-XXX